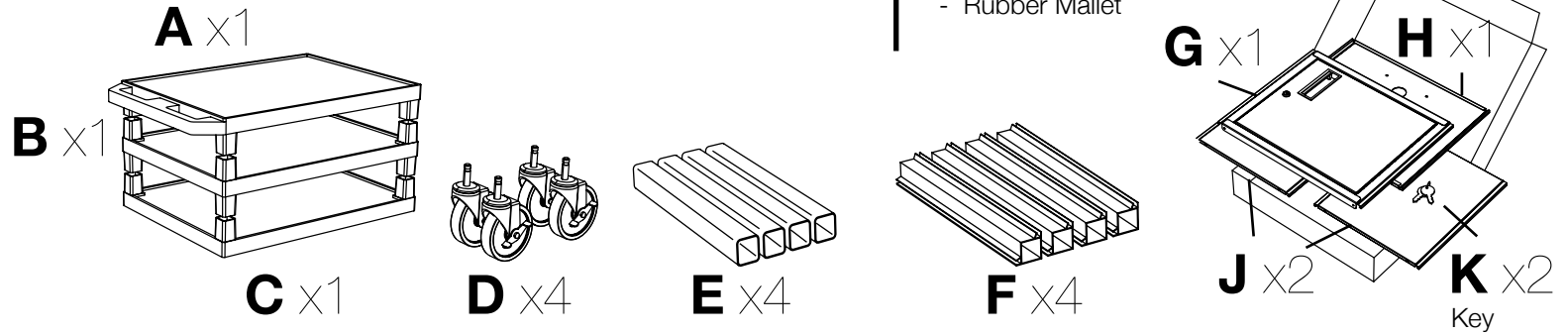


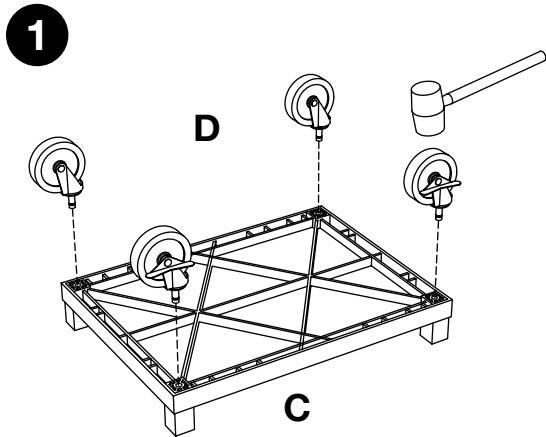
3 Shelf Tuffy Cart w/ Cabinet Instructions

Parts List

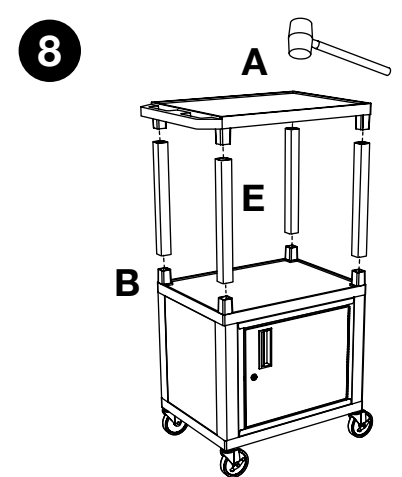
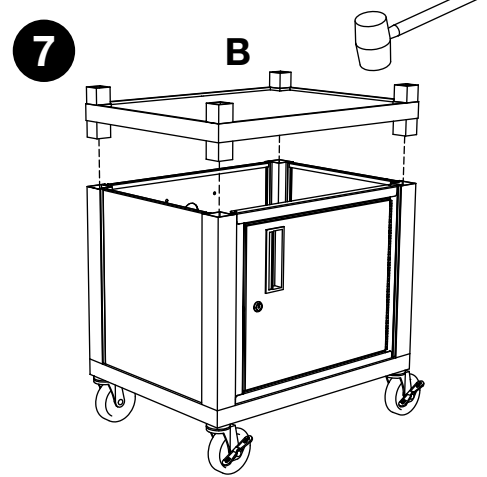
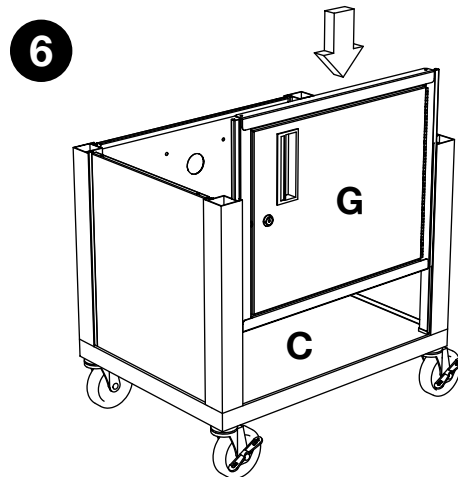
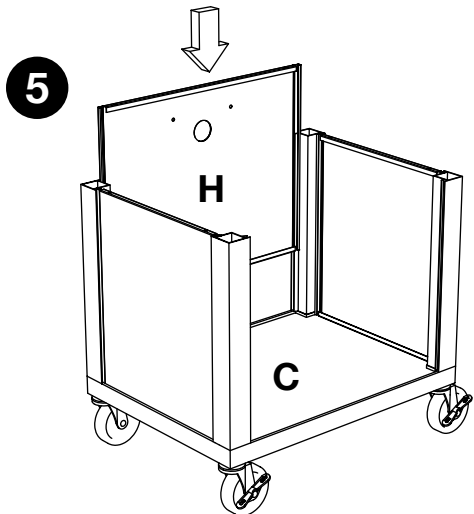
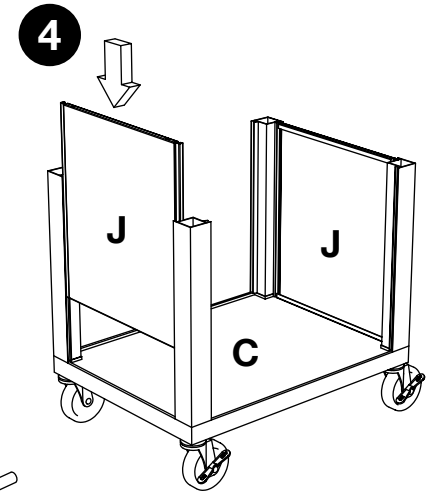
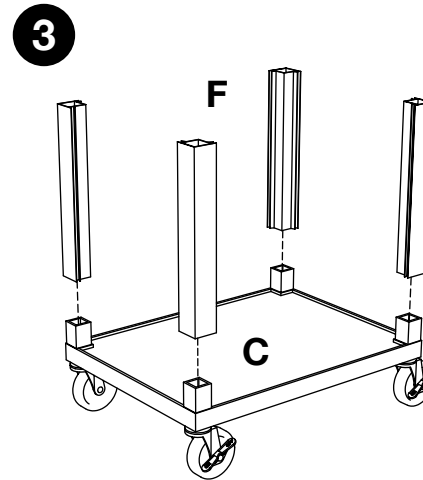
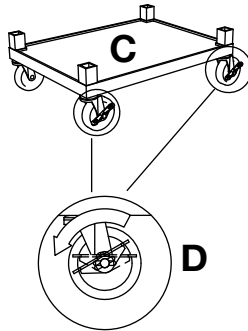


Tools Required

- Rubber Mallet



2 **IMPORTANT:** Flip shelf **C**, and lock the 2 locking casters **D** before assembling the unit.

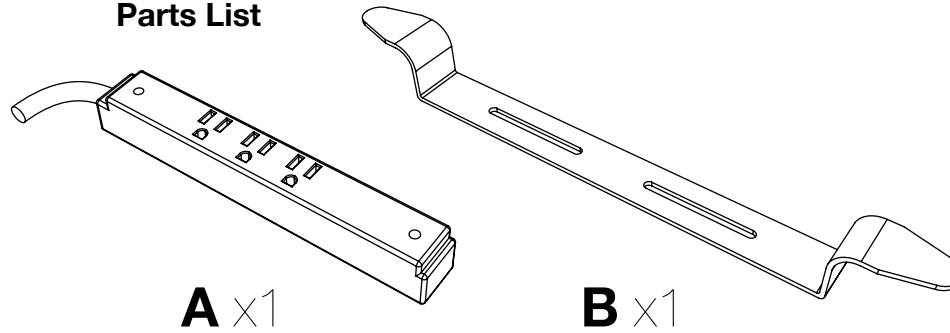


www.luxorfurn.com
www.hwilson.com

Electric Assembly Instructions

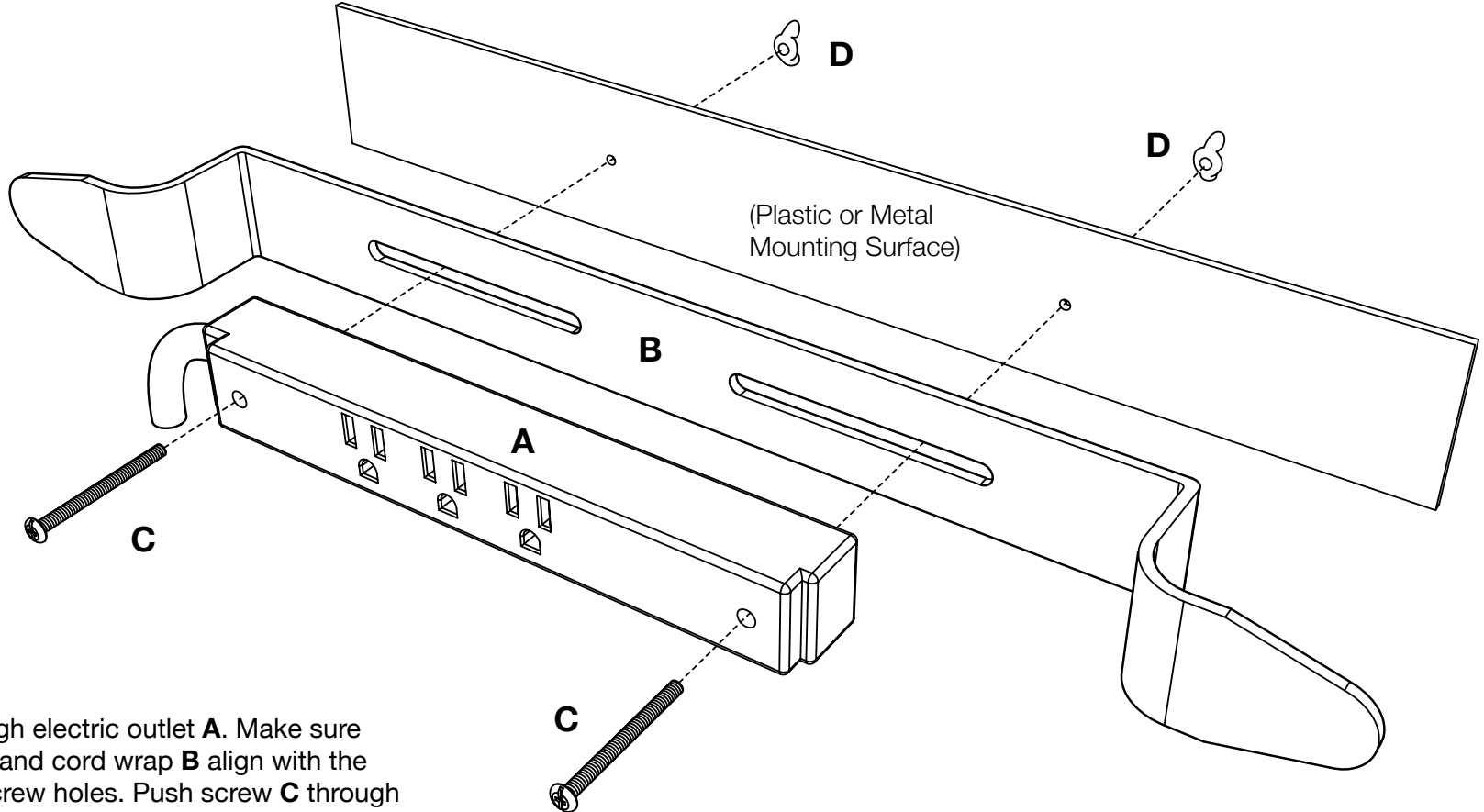
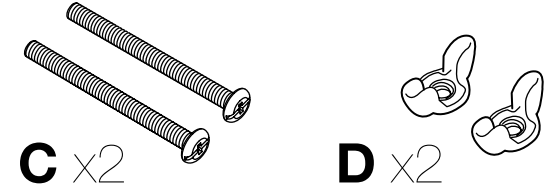
Number of outlets
may vary.

Parts List



Tools Required

- Screwdriver



1

Push screw **C** through electric outlet **A**. Make sure the electric outlet **A** and cord wrap **B** align with the mounting surface screw holes. Push screw **C** through cord wrap **B** and the mounting surface screw holes. Use wing nut **D** and screwdriver to fasten.